

**DFB**

*Inspired Solutions*

 **FUSION** **SILENT TECHNOLOGY**  
ELECTRONIC ROLLER SHADES

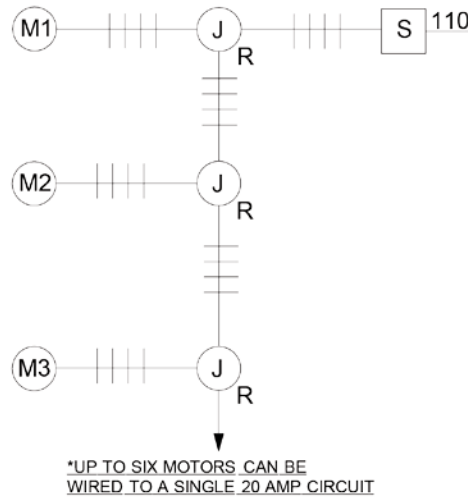
LINEVOLTAGE / LINEVOLTAGE / FULLAUTOMATION



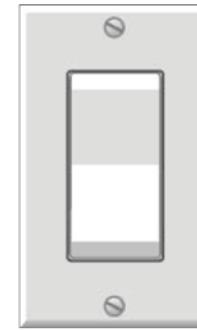
## ST 70 Specifications

41 pound lift  
 38 RPM  
 120V - 60Hz  
 1 Amp  
 Electronic limits  
 One wire 12 gauge  
 Thermally protected  
 UL listed

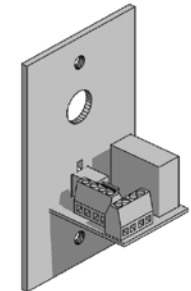
## Wiring Diagram



LINE VOLTAGE SWITCH



COVERPLATE AND RELAY DIAGRAM

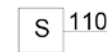


COVERPLATE FOR STANDARD SIZED SINGLE GANG JUNCTION BOX

## Legend



SINGLE GANG JUNCTION BOX WITH COVERPLATE, FOUR PRONG CONNECTOR AND RELAY. COVERPLATE BY DFB. JUNCTION BOX BY OTHERS. INSTALLED BY OTHERS



LINE VOLTAGE SWITCH IN WHITE SUPPLIED BY DFB. INSTALLED BY OTHERS



4 WIRE LINE VOLTAGE RUN FROM JUNCTION BOX TO GROUND SUPPLIED AND INSTALLED BY OTHERS



LINE VOLTAGE MOTOR WITH UP TO 6' LEAD 4 WIRES 18 AWG, EACH MOTOR DRAWS 1.7 AMPS. SUPPLIED WITH SHADE

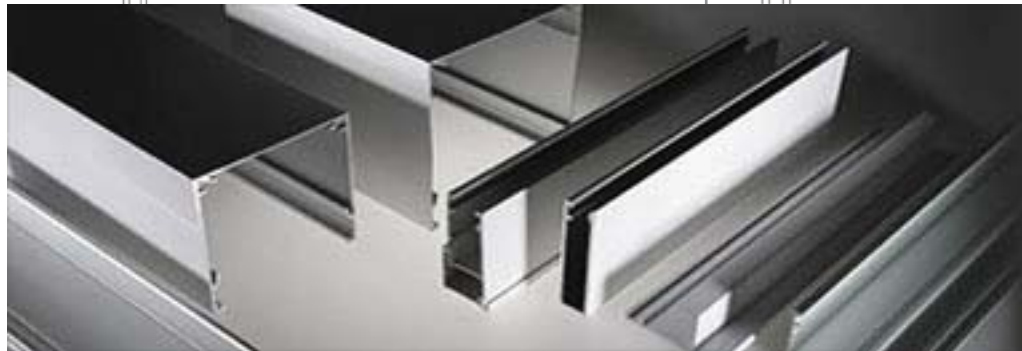
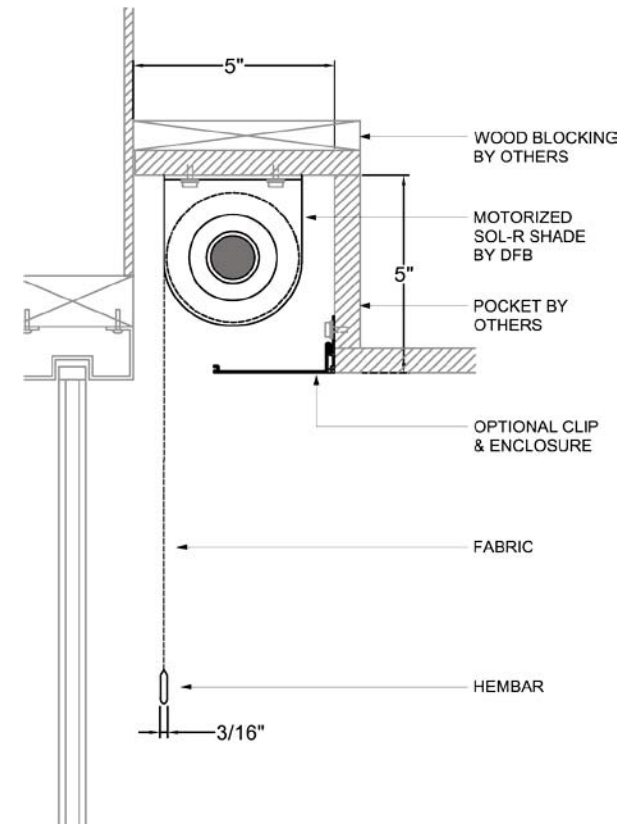
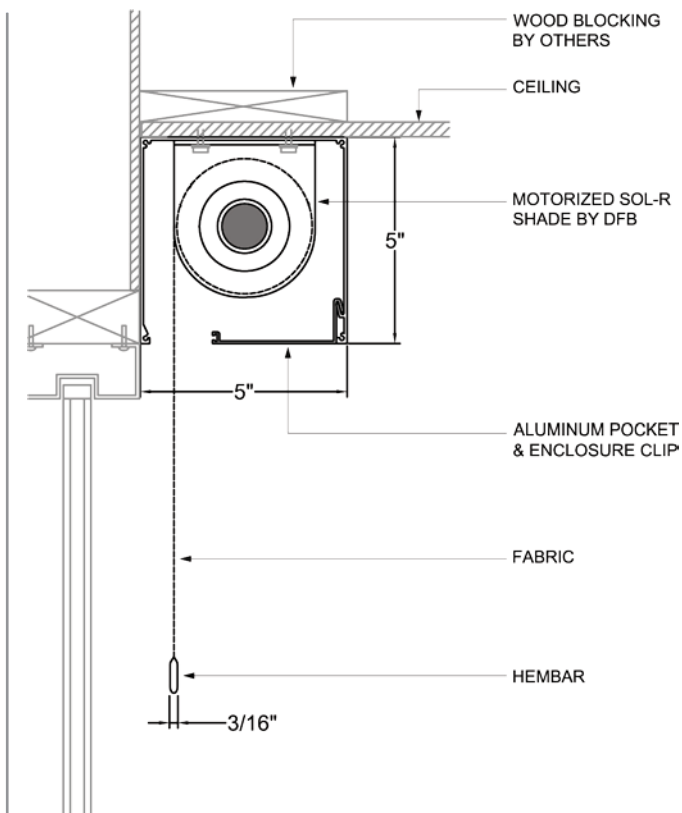
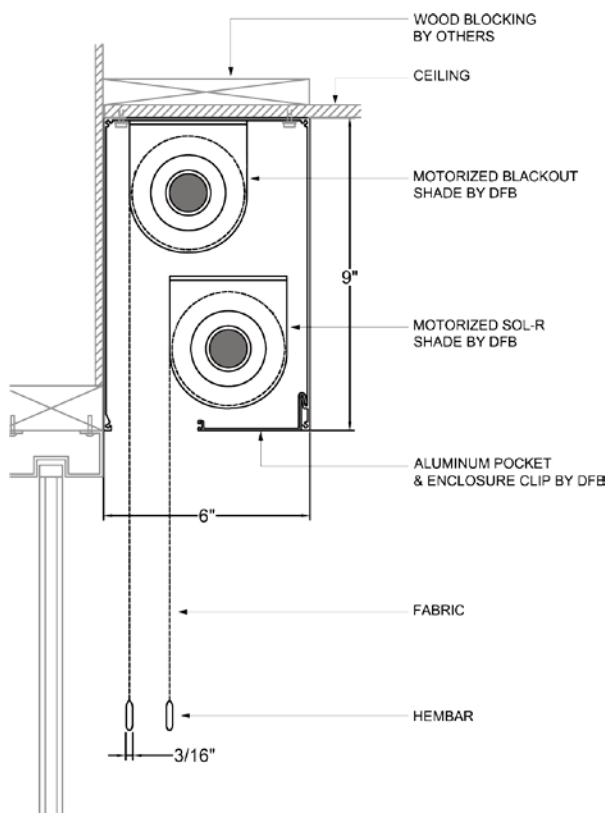
# DFB LINE VOLTAGE ST 70 SERIES



The DFB ST 70 is rated at 40 Dba and can integrate into AV or lighting via a dry contact closure or an isolated relay for basic operation. It's available with a built in wireless radio control receiver so all that is required is a J box at the motor location. The DFB ST 70 is perfect for skylights and for shades mounted on an incline.

- Cost Effective
- Used with J boxes
- Modern raise/lower keypads
- Reliable wireless controls
- One motor lifts up to 5 shades
- Capable of individual or group control





## SHADE COMPONENTS

Fusion shades offer a wide variety of shade accessories such as contract pockets, fascia's, and side channels. These white aluminum extrusions are readily available to help you complete your shading system. Check out DFB's Spec Library online or contact your local sales rep for more information.